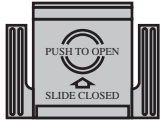
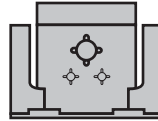


## Defective latch - Replacement instructions



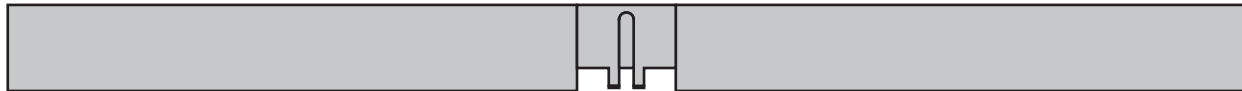
LATCH BUTTON - FRONT



LATCH BUTTON - BACK



SPRING

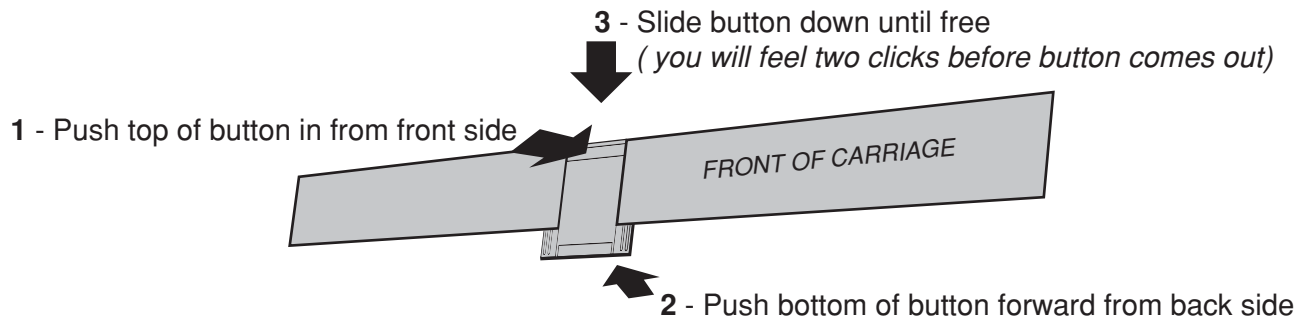
FRONT OF CARRIAGE WITHOUT BUTTON (*beige, blue, or yellow bar*)

BACK OF CARRIAGE WITHOUT BUTTON

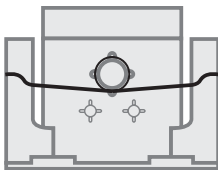
### TO REMOVE BUTTON

Open carriage, like if you were reloading the unit.

*Proceed to action 3 while holding button as indicated in action 1 & 2.*



### TO REPLACE BUTTON



Position spring on back side of button.  
The spring arms should be below  
the spring insert.

